
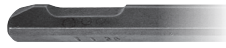




Scalers & Needle Scalers





SCALERS Page Number	Tool Configuration	Model Series
73	<ul style="list-style-type: none"> • 1/2 Square Style Chisel  	TC-1
	<ul style="list-style-type: none"> • 1/4 Octagon Style Chisel  	TC-182
NEEDLE SCALERS Page Number	Tool Configuration	Model Series
74	<ul style="list-style-type: none"> • 1/2 Square Style Chisel  	TC-1-N
	<ul style="list-style-type: none"> • 1/4 Octagon Style Chisel  	TC-182-N

HANDLES



PERCUSSIVE TOOLS

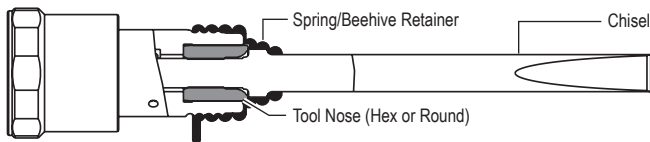
Chipping Hammers

CHIPPING HAMMERS Page Number	Tool Configuration	Model Series
75	<ul style="list-style-type: none"> • 0.401 Round Shank Chisel  • 0.371 Hex Shank Chisel  	80 Series
	<ul style="list-style-type: none"> • 0.680 Round Shank Chisel  • 0.580 Hex Shank Chisel  	TC-183

METHODS OF CHISEL RETENTION

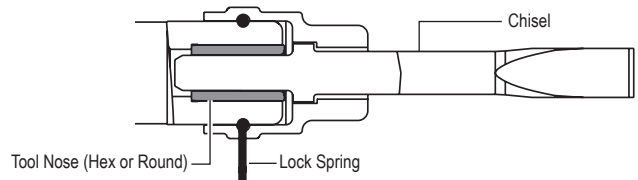
80 Series

Beehive Retainer



TC-183 Series

Chisel Retainer



Scalers

TC-1 Series



TC-1-L

Spring Style Chisel Retainer



Standard Lever



Safety Lever

TC-182 Series



TC-182-L

Collar Style Chisel Retainer

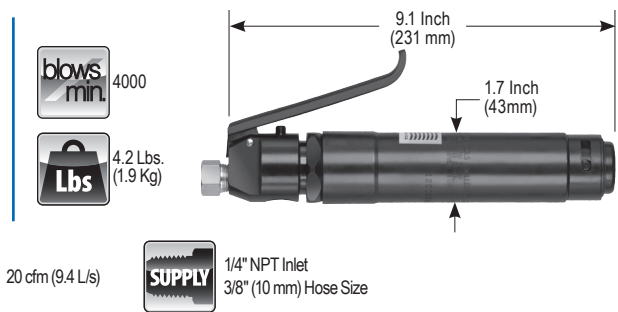
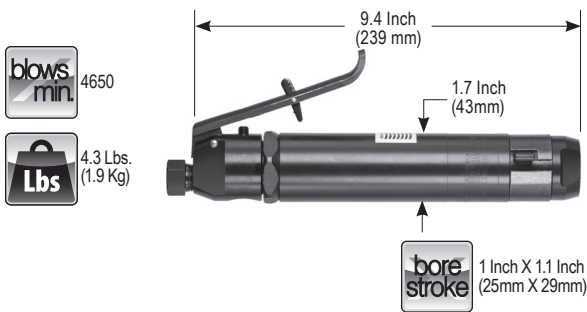


Pistol Handle



Flow Through Handle

Chisel Type	Handle Type	MODEL NUMBER	Chisel Type	Handle Type	MODEL NUMBER
 1/2" Square	Lever	TC-1-L	 1/4" Octagon	Lever	TC-182-L
	Safety Lever	TC-1-K		Safety Lever	TC-182-K
	Pistol	TC-1-W		Pistol	TC-182-W
	Flow Through	TC-1-FT		Flow Through	TC-182-FT
	Pipe-Extended Lever	TC-1-FL;PL48		Pipe-Extended Lever	TC-182-FL;PL48



Chisels – 1/2 Inch Square Shank



Description	Cutting Edge	Overall Length	Part Number
Narrow Flat Chisel	3/4" (19mm)	7" (178mm)	839051
Narrow Flat Chisel	3/4" (19mm)	12" (305mm)	839341
Narrow Flat Chisel	3/4" (19mm)	18" (457mm)	839335
Wide Angle Chisel	1 3/8" (34.9mm)	7" (178mm)	839050
Wide Angle Chisel	1 3/8" (34.9mm)	12" (305mm)	839299
Wide Angle Chisel	1 3/8" (34.9mm)	18" (457mm)	839334
Blank Chisel		7" (178mm)	839052
Blank Chisel		12" (305mm)	839053
Blank Chisel		18" (457mm)	839054
Wide Chisel	1 3/8" (34.9mm)	7" (178mm)	839467
Wide Chisel	1 3/8" (34.9mm)	12" (305mm)	839469
2 Inch Wide Scraper	2" (50.8mm)	7" (178mm)	839468

Other Sizes And Styles Available

Chisels – 1/4 Inch Octagon



Description	Cutting Edge	Overall Length	Part Number
Narrow Flat Chisel	3/4" (19mm)	7" (17.8cm)	839601
Narrow Flat Chisel	3/4" (19mm)	12" (30.5cm)	839601-12
Blank Chisel		7" (17.8cm)	839605
Blank Chisel		12" (30.5cm)	839605-12
Wide Chisel	1 3/8" (34.9mm)	7" (17.8cm)	839602
Wide Angle Chisel	1 3/8" (34.9mm)	7" (17.8cm)	839604
Wide Angle Chisel	1 3/8" (34.9mm)	12" (30.5cm)	839604-12

Other Sizes And Styles Available

Needle Scalers

TC-1 Series



TC-1-NL



Standard Lever



Safety Lever

TC-182 Series

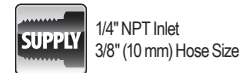
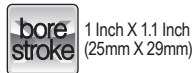
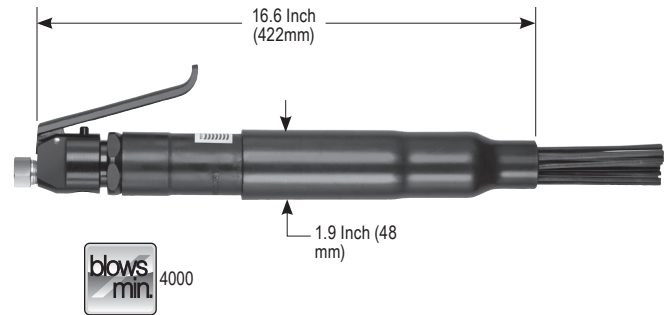
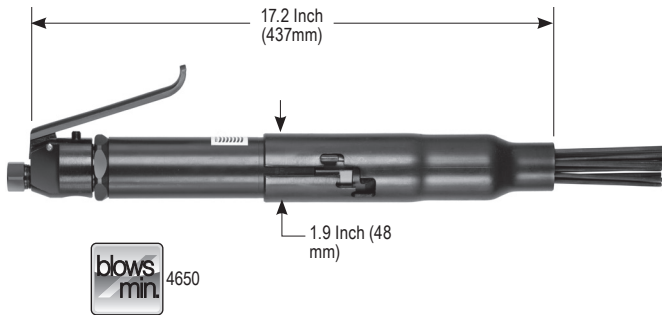


Pistol Handle



Flow Through Handle

Handle Type	MODEL NUMBER	Handle Type	MODEL NUMBER
Lever	TC-1-NL	Lever	TC-182-NL
Safety Lever	TC-1-NK	Safety Lever	TC-182-NK
Pistol	TC-1-NW	Pistol	TC-182-NW



Chisels – 1/2 Inch Square Shank



Description	Cutting Edge	Overall Length	Part Number
Narrow Flat Chisel	3/4" (19mm)	7" (178mm)	839051
Narrow Flat Chisel	3/4" (19mm)	12" (305mm)	839341
Narrow Flat Chisel	3/4" (19mm)	18" (457mm)	839335
Wide Angle Chisel	1 3/8" (34.9mm)	7" (178mm)	839050
Wide Angle Chisel	1 3/8" (34.9mm)	12" (305mm)	839299
Wide Angle Chisel	1 3/8" (34.9mm)	18" (457mm)	839334
Blank Chisel		7" (178mm)	839052
Blank Chisel		12" (305mm)	839053
Blank Chisel		18" (457mm)	839054
Wide Chisel	1 3/8" (34.9mm)	7" (178mm)	839467
Wide Chisel	1 3/8" (34.9mm)	12" (305mm)	839469
2 Inch Wide Scraper	2" (50.8mm)	7" (178mm)	839468

Other Sizes And Styles Available

Chisels – 1/4 Inch Octagon

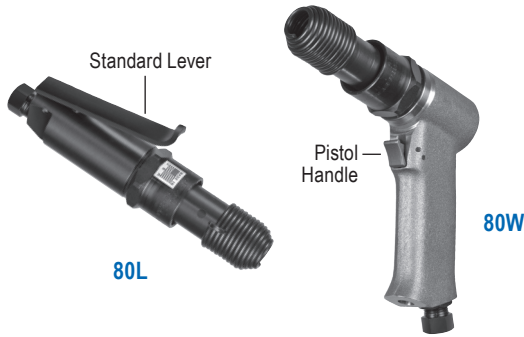


Description	Cutting Edge	Overall Length	Part Number
Narrow Flat Chisel	3/4" (19mm)	7" (17.8cm)	839601
Narrow Flat Chisel	3/4" (19mm)	12" (30.5cm)	839601-12
Blank Chisel		7" (17.8cm)	839605
Blank Chisel		12" (30.5cm)	839605-12
Wide Chisel	1 3/8" (34.9mm)	7" (17.8cm)	839602
Wide Angle Chisel	1 3/8" (34.9mm)	7" (17.8cm)	839604
Wide Angle Chisel	1 3/8" (34.9mm)	12" (30.5cm)	839604-12

Other Sizes And Styles Available

Chipping Hammers

80 Series



TC-183 Series



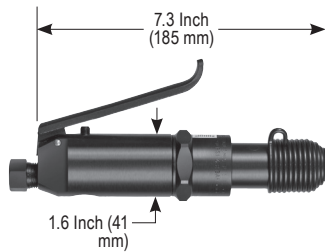
Handle Type	Handle Type	MODEL NUMBER	Handle Type	Handle Type	MODEL NUMBER
0.371 Hex Shank 	Lever	80L;HEX	0.580 Hex Shank 	Lever	TC-183-L;HEX
	Safety Lever	80K;HEX		Safety Lever	TC-183-K;HEX
	Pistol	80W;HEX		Pistol	TC-183-W;HEX
0.401 Round Shank 	Lever	80L;RND	0.680 Round Shank 	Lever	TC-183-L;RND
	Safety Lever	80K;RND		Safety Lever	TC-183-K;RND
	Pistol	80W;RND		Pistol	TC-183-W;RND

bore stroke 0.6 Inch X 1.4 Inch (15mm X 36mm)

Lbs 2.8 Lbs. (1.3 Kg)

cfm 15 cfm (7.1 L/s)

SUPPLY 1/4" NPT Inlet
3/8" (10 mm) Hose Size

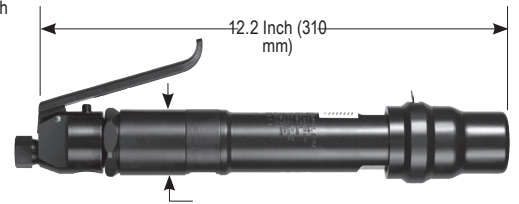


bore stroke 0.9 Inch X 3.0 Inch (23mm X 76mm)

Lbs 5.5 Lbs. (2.5 Kg)

cfm 25 cfm (11.8 L/s) Max

SUPPLY 1/4" NPT Inlet
3/8" (10 mm) Hose Size



CHIPPING HAMMERS

Handle Types



Chisels – 0.401 Round

Description	Cutting Edge	Overall Length	Part Number
Flat Chisel	1/2" (12.7mm)	7" (178mm)	595002
Blank Chisel		7" (178mm)	595005

Other Sizes And Styles Available

Chisels – 0.580 Hexagon

Description	Cutting Edge	Overall Length	Part Number
Flat Chisel	1" (25.4mm)	9" (229cm)	839008
Flat Chisel	1" (25.4mm)	12" (30.5cm)	839009
Flat Chisel	1" (25.4mm)	18" (457cm)	839010
Moil Point		9" (229cm)	839018
Wide Flat	2" (50.8mm)	12" (30.5cm)	839016

Other Sizes And Styles Available

Chisels – 0.371 Hexagon

Description	Cutting Edge	Overall Length	Part Number
Flat Chisel	1/2" (12.7mm)	12" (305mm)	595016

Other Sizes And Styles Available

Chisels – 0.680 Round

Description	Cutting Edge	Overall Length	Part Number
Flat Chisel	1" (25.4mm)	9" (229cm)	839014
Flat Chisel	1" (25.4mm)	12" (30.5cm)	839083
Flat Chisel	1" (25.4mm)	18" (457cm)	839045
Moil Point		9" (229cm)	839023
Wide Flat	1.5" (38.1mm)	9" (229cm)	839019
Wide Flat	2" (50.8mm)	9" (229cm)	839017

Other Sizes And Styles Available